



LED **PRO**

Simple & Flexible Solution

LED FLEXIBLE LINEAR LIGHT

PRODUCT INFORMATION

- Excellently anti-dust LED strips with professional design to guarantee lighting performance.
- It not only ensure high quality of lighting color consistency but also protect products against from harsh environments.
- ILLUS LED FLEXIBLE LINEAR Light gives the customer the flexibility to choose between 8 models based on their specific need with lumen package from 1250 lm to 1700 lm.

BENEFITS

- Vivid light color.
- Less maintenance cost and less concerns.

FEATURES

- High CRI>95.
- Operating voltage DC225V.



BEYOND LIGHT..
TO THE LAST DETAILS!

AREAS OF APPLICATION



Hospitality



Shopping Center



Commercial



Educational Center

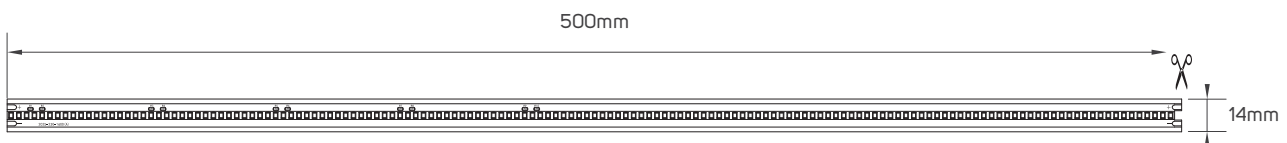
TECHNICAL OPERATING & ELECTRICAL DATA

| | |
|---------------------|-----------------------------|
| IP Rating | IP65 |
| Body Color | White |
| Body Material | PVC |
| CRI | 95 |
| Lumen | from 1250 to 1700lm/M+/-10% |
| Input Voltage | DC225V |
| Cutting Unit | 500mm |
| Beam Angle | 120° |
| Dimming | Non- Dimmable |
| IEC Classification | Class II |
| Fixed or Adjustable | Adjustable |
| Life Span | 30000hrs |

SPECIFICATIONS

| Code No. | Model No. | Power | Lumen | Efficacy | Size/Reel | CCT |
|----------|---------------------|-------|--------|------------|-----------|-------|
| 614037 | ILS9HIVISTL927WW02 | 9W | 1250lm | 138.89lm/W | 30M/Reel | 2700K |
| 614038 | ILS9HIVISTL930WW02 | 9W | 1270lm | 141.11lm/W | 30M/Reel | 3000K |
| 614039 | ILS9HIVISTL940NW02 | 9W | 1300lm | 144.44lm/W | 30M/Reel | 4000K |
| 614040 | ILS9HIVISTL950DL02 | 9W | 1350lm | 150lm/W | 30M/Reel | 5000K |
| 614041 | ILS12HIVISTL927WW02 | 12W | 1600lm | 133.33lm/W | 30M/Reel | 2700K |
| 614042 | ILS12HIVISTL930WW02 | 12W | 1620lm | 135lm/W | 30M/Reel | 3000K |
| 614043 | ILS12HIVISTL940NW02 | 12W | 1650lm | 137.50lm/W | 30M/Reel | 4000K |
| 614044 | ILS12HIVISTL950DL02 | 12W | 1700lm | 141.67lm/W | 30M/Reel | 5000K |

DIMENSIONS



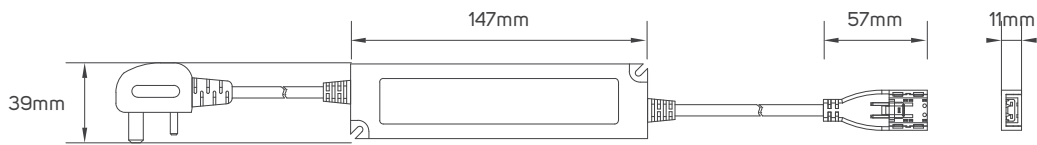
614037 - 614038 - 614039 - 614040 - 614041 - 614042 - 614043 - 614044

ACCESSORIES

LED FLEXIBLE LINEAR LIGHT CONNECTOR
AVAILABLE AS AN ACCESSORY

| Code No. | Model No. | Body Color | Body Material | Power | Voltage | Frequency |
|----------|-----------------|-------------------|---------------|-------|---------|-----------|
| 614045 | ILS250HVFLLCG04 | white | plastic | 250W | 230V | 50/60Hz |
| 614046 | ILS400HVFLLCG04 | white | plastic | 400W | 230V | 50/60Hz |
| 614047 | ILSHVFLLCG01 | transparent+white | plastic | | | |
| 614048 | ILSHVSTFCT01 | transparent | plastic | | | |
| 615905 | ILS250TRIDDW01 | white | plastic | 250W | | |
| 615906 | ILSTRICONW01 | white | plastic | | | |

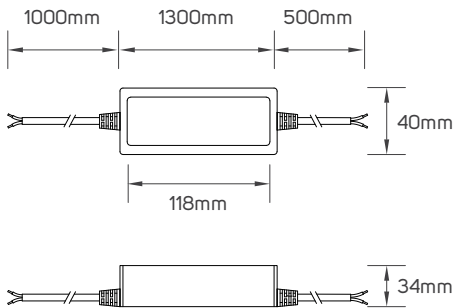
ACCESSORIES DIMENSIONS



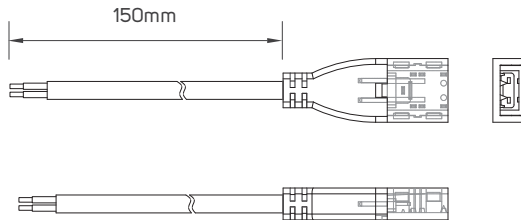
614045 - 614046 - Driver



614047 - Connector



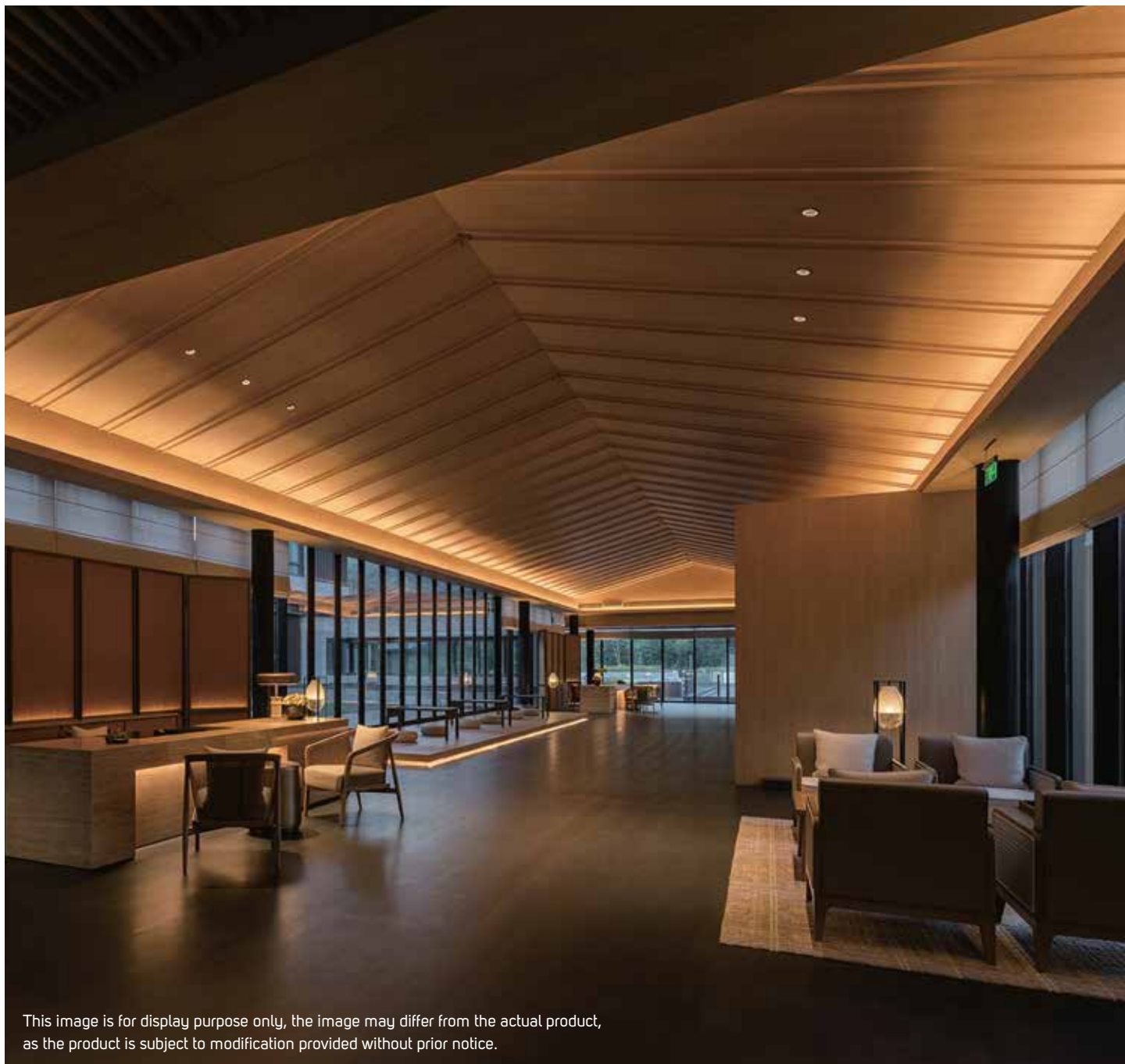
614048 - Connector



615905 - Driver

615906 - Connector

APPLICATION PICTURE



This image is for display purpose only, the image may differ from the actual product, as the product is subject to modification provided without prior notice.

LED FLEXIBLE LINEAR LIGHT

BEYOND LIGHT..
TO THE LAST DETAILS!



Carrer de la Vall de la Ballestera, 64, 46015 València, Valencia, España, Tel: +34619824456

www.illusillumination.com

illus illumination reserve the right to make dimensional, design and technical alternations without prior notice. illus illumination endeavor to ensure that any advice, recommendation or information it provides in product literature is accurate and correct. However due to the fact that illus do not have direct control on where and how the products are installed, illus illumination cannot accept any liability either direct or indirect arising from the use of illus products whether or not in accordance with any advice, specification, recommendation or information provided by illus illumination or its distributors.