



## LED PENDANT LINEAR LIGHT LUMINAIRE (CCT & POWER CHANGEABLE )

### PRODUCT INFORMATION

- Illus LED pendant lights, featuring adjustable wattage and CCT (Correlated Color Temperature), provide enhanced flexibility, mood control, and energy efficiency, enabling users to tailor lighting to various tasks and atmospheres.
- These fixtures usually include built-in switches, enabling users to adjust both color temperature (warm, neutral, or cool) and brightness without the need for additional hardware or complicated technical modifications."
- The LED pendant light is available in 2 models, featuring LED connectors in T-, L-, and X-types, with lumen outputs ranging from 1000lm to 5000lm at 3000K.

### BENEFITS

- Adjust from warm (3000K) to neutral (4000K) or cool white (5000K) for any mood or task.
- Ideal for open-plan spaces, like kitchen islands or dining areas that shift from meals to work.
- Adjustable wattage lets you optimize light output for any room, avoiding over- or under-lighting.
- LED technology saves energy, and adjustable power settings further reduce consumption.

### FEATURES

- Flicker Free.
- High CRI $\geq$ 95.
- Saving Energy.
- Efficacy up to 128lm/W.



## AREAS OF APPLICATION



Hospitality



Shopping Center



Commercial



Educational Center



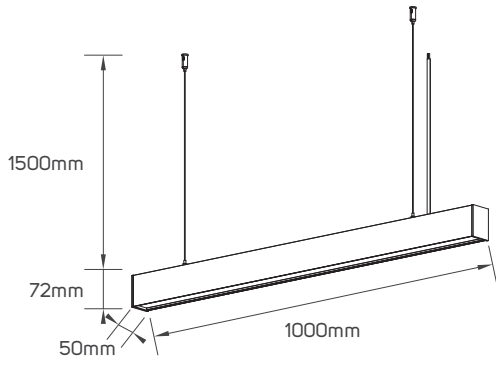
## TECHNICAL OPERATING & ELECTRICAL DATA

Body Material	Aluminum
CCT	CCT Tunable (3000K-4000K-5000K)
CRI	≥95
Voltage and Frequency	AC220-240V, 50/60Hz (DC104V T-L-X Shapes)
Ambient Temperature	40°C
IP Rating	IP20
IEC Classification	Class I
Dimming	Non-Dimmable
Lifespan	50,000H
Switching Cycle	100,000x on/off
Warranty Period	60 Months

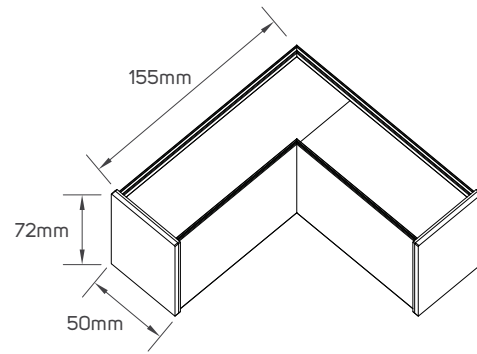
## SPECIFICATIONS

Code No.	Model No.	Body Color	Power	Changeable Power	Lumen	Efficacy	D.F	P.F	Current
LI615738	ILSCPPLLCCTB01	Black	40W	24-32-40W	5000lm	125lm/W	0.97	0.95	180mA
LI615739	ILSCPPLLCCTW01	White	40W	24-32-40W	5000lm	125lm/W	0.97	0.95	180mA
LI615740	ILSCPPLLCCTB01	Black	8.5W	5-6.5-8.5W	1000lm	117.65lm/W	1	1	81mA
LI615741	ILSCPPLLCCTW01	White	8.5W	5-6.5-8.5W	1000lm	117.65lm/W	1	1	81mA
LI615742	ILSCPPLLCCTB01	Black	12.5W	8-10-12.5W	1600lm	128lm/W	1	1	120mA
LI615743	ILSCPPLLCCTW01	White	12.5W	8-10-12.5W	1600lm	128lm/W	1	1	120mA
LI615744	ILSCPPLXCCTB01	Black	18W	11-14-18W	2000lm	111.11lm/W	1	1	170mA
LI615745	ILSCPPLXCCTW01	White	18W	11-14-18W	2000lm	111.11lm/W	1	1	170mA

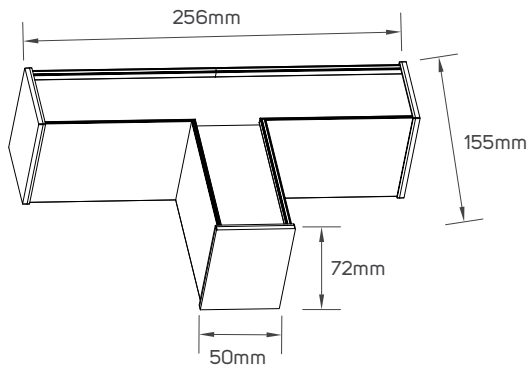
## DIMENSIONS



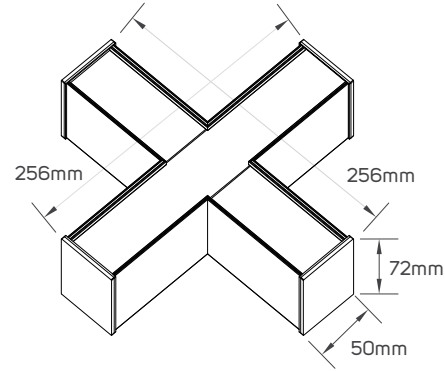
LI615738 - LI615739



LI615740 - LI615741



LI615742 - LI615743



LI615744 - LI615745

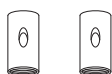
## ACCESSORIES SPECIFICATIONS

Code No.	Model No.	Body Color	Body Material
LI615746	ILSPLSKITN01	Silver	Nickel
LI615747	ILSPLFTN01	Silver	Nickel
LI615748	ILSPLFTN02	Silver	Nickel
LI615749	ILSPLFTN03	Silver	Nickel
LI615750	ILSPLCOB01	Black	Copper + Plastic
LI615751	ILSPLFIXTW01	Silver	Aluminium

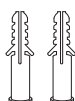
## ACCESSORIES DIMENSIONS



Steel wire rope + upper and lower hoisting dock  
2 pcs.



Locking device  
2 pcs.

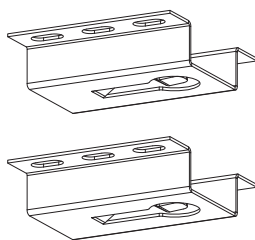


Expanding rubber plug  
2 pcs.

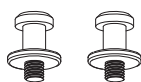


4\*30 self-tapping screw  
2 pcs.

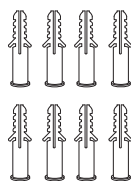
### LI615746 - Suspension Accessories



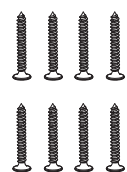
Surface mounted bracket  
2 pcs.



Surface device  
2 pcs.

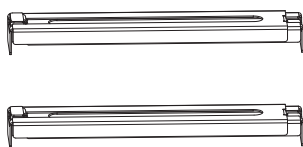


Expanding rubber plug  
8 pcs.

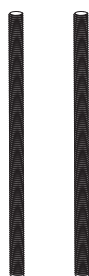


4\*30 self-tapping screw  
8 pcs.

### LI615747 - Fixing Accessories



Square pass mounted flexible bracket  
2 pcs.



M5 full tooth rod  
2 pcs.



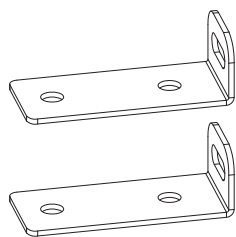
M5 hex nut  
6 pcs.



M5 washer  
6 pcs.

### LI615748 - Fixing Accessories

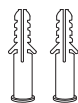
## ACCESSORIES DIMENSIONS



joint connector  
1 pcs.



M4 screw  
4 pcs.



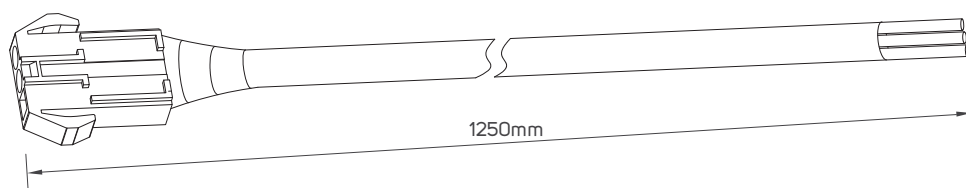
expanding rubber plug  
2 pcs.



4\*30 self-tapping screw  
2 pcs.

---

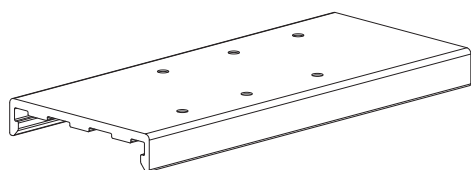
### LI615749 - Fixing Accessories



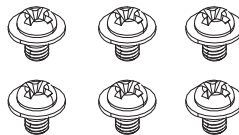
F905 AC cable  
1 pcs.

---

### LI615750 - Connector



joint connector  
1 pcs.



M4 screw  
6 pcs.

---

### LI615751 - Fixing Connectors



This image is for display purpose only, the image may differ from the actual product, as the product is subject to modification provided without prior notice.

## LED PENDANT LINEAR LIGHT LUMINAIRE ( CCT & POWER CHANGEABLE )

BEYOND LIGHT..  
TO THE LAST DETAILS!



build-station



lighting stores



illus lighting

C/ Cuenca, 87, Alaquas 46970, (Valencia) Spain, Ph. 34 961 623 958

[www.illusillumination.com](http://www.illusillumination.com)

illus illumination reserve the right to make dimensional, design and technical alternations without prior notice. illus illumination endeavor to ensure that any advice, recommendation or information it provides in product literature is accurate and correct. However due to the fact that illus do not have direct control on where and how the products are installed, illus illumination cannot accept any liability either direct or indirect arising from the use of illus products whether or not in accordance with any advice, specification, recommendation or information provided by illus illumination or its distributors.